

SIGNAL ISOLATING REPEATER

TX-232



SPECIFICATIONS

Model	ASHE TX-232.
Type	Analog Signal Isolating Multiplier (Repeater / Splitter).
Principle	Optical Isolation, Signal Conditioning and Amplification.
Input Signal	4 to 20 mA DC [or as required].
Output Signals	Two isolated and buffered outputs of 4 to 20 mA DC [or as required].
Load Driving Capacity	600 Ohms for each output.
Linearity	± 0.1%.
Isolation	Between Input // Outputs // Power Supply.
Isolation type	Optical and Galvanic.
Isolation level	1.5 kV rms for one minute.
Output protection	Short / Open Circuit protection.
Calibration facility	Zero and Span settings [external].
Accuracy	± 0.1%.
Indication	Red LED for Power On.
Power Supply	90 to 270 VAC, 50 / 60 hz. (Alternatively 24V DC)
Dimensions	100 x 22 x 110 mm. [H x W x D].
Execution	DIN-Rail / Rear panel mounting.
Enclosure	Industrial grade ABS.
Enclosure colour	Industrial Green
Weight	Approximately 120 grams.
Operating Temperature	0 to 55 °C.

OVERVIEW

The ASHE TX series of Signal Conditioners, Isolators, Transducers, Transmitters and Multipliers comprise a wide range of high quality and reliable instruments for the conversion, amplification, isolation and multiplication of analog and digital signals.

The instruments accept standard industrial process input signals such as DC/AC Voltage, DC/AC Current, 4 to 20 mA DC, RTD Pt-100 sensor, Thermocouple sensor, Frequency [Pulse], Resistance, Strain-gauge, etc. and provide buffered and isolated outputs with enhanced load driving capacity. The instruments find wide usage in single loop or distributed process measurement and control applications.

The new Series TX-232 Signal Isolating Multipliers measure an analog signal and convert the signal into two (or more) isolated analog signals of 4 to 20 mA DC [or as required]. The Output signals are linear with respect to the Input signal and each output is galvanically and optically isolated to a level of 1.5 KV rms for one minute.

The instruments operate on Universal AC or DC power supply. Optional features include higher load driving capability, digital indication facility, control relay outputs, two-wire operation with auxillary power output, etc.

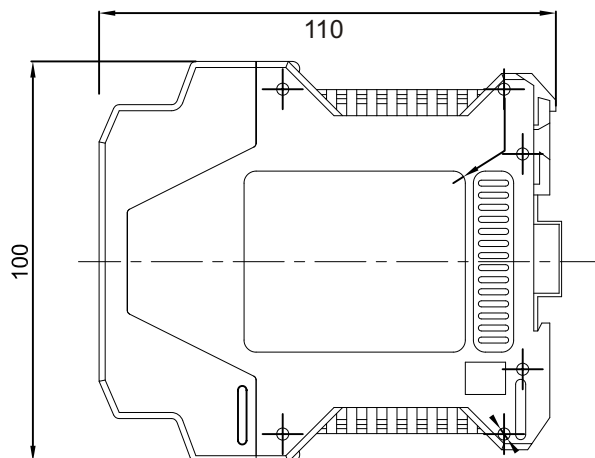
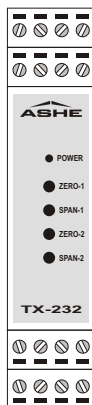
The instruments are available in slim & compact industrial grade enclosures in DIN Rail / Wall-mounting execution, or optionally in IP65 protected field mount weather-proof enclosures, or in CIMFR certified explosion-proof enclosures. Absence of any moving parts provides these instruments inherent advantages like immunity to mechanical shocks, dust, ambient temperature, humidity and corrosive atmosphere.

FEATURES

- Optical & Galvanic Isolation between Input,
- Outputs & Power Supply.
- High accuracy and linearity to input signal
- Very low power consumption and heat dissipation
- Options of multiple [upto four] isolated outputs
- High load driving capacity of retransmitted signal
- Output signal options of current / voltage
- Short-circuit / Open-circuit protection of outputs
- Front accessible Zero and Span calibration for all channels
- Digital Indication option with/without control relay outputs
- Auxillary power for two-wire transmitters
- Rugged, industrial grade ABS enclosure
- Panel / Field / Hazardous area installation in IP65 execution
- Current limiting for I/O protection
- Customized outputs offered
- Proven record of several thousand installations
- Lifetime warranty on design and workmanship

DIMENSIONAL DIAGRAM

Dimensions : 100 x 22 x 110 mm
 Execution : DIN Rail mount.



HOW TO ORDER

ANALOG SIGNAL REPEATER (dual channel)

TX-232

Input : 4 to 20 mA DC. [or as required]
 Output - 1 : 4 to 20 mA DC. [or as required]
 Output - 2 : 4 to 20 mA DC. [or as required]
 Isolation : Optical and Galvanic.
 Power Supply : 90 to 270 V AC, 50 Hz / 24 V DC.
 Dimensions : 100 x 22 x 110 mm.

Configuration and Add-on options

1 ANALOG INPUT SIGNAL

- ▶ 4 to 20 mA DC
- ▶ 0 to 10 V DC
- ▶ RTD Pt-100 Sensor
- ▶ Thermocouple Sensor
- ▶ Other (please specify)

L
D
R
T
Z

2 POWER SUPPLY

- ▶ 90 to 270 V AC, 50 / 60 Hz (±10%).
- ▶ 24 V DC (±10%).
- ▶ Other (to be specified).

S
H
Z

3 EXECUTION

- ▶ DIN Rail mounting [100 x 22 x 110 mm]
- ▶ Field mounting in Weather-proof execution (Polycarbonate enclosure, IP65 protection)
- ▶ Field mounting in Flame/Explosion-proof execution (Cast Aluminum Alloy LM6 enclosure, for Gas groups IIA, IIB)

N
W
X

4 OUTPUT SIGNALS

- ▶ 4 to 20 mA DC
- ▶ 0 to 10 V DC
- ▶ Other (to be specified)

L
D
Z

OUR OTHER PRODUCTS



PROCESS CONTROLLER

UNIVERSAL CONTROLLER

FLOW TOTALIZER

TEMP. SCANNER

SIGNAL ISOLATORS & TRANSDUCERS

SMPS POWER SUPPLIES



ASHE CONTROLS PRIVATE LIMITED

6/317, 318 & 319, Jogani Industrial Complex, Near ATI, Sion-Trombay Road, Chunabhatti (East), Mumbai - 400 022, India.
 Phone / Fax : (022) 2405 1561, 2405 5791 • E-mail : sales@ashecontrols.com • Website: http://www.ashecontrols.com