

DC VOLTAGE ISOLATING TRANSDUCER

TX-205



SPECIFICATIONS

Model	ASHE TX-205.
Type	DC Voltage Isolating Transducer.
Principle	Optical Isolation and Signal Conditioning.
Input Signal	mV or Volts DC [As required].
Output Signal	4 to 20 mA DC [or as required].
Load Driving Capacity	600 Ohms.
Linearity	0.1%.
Isolation	Between Input // Output // Power Supply.
Isolation type	Optical and Galvanic.
Isolation level	1.5 kV rms for one minute.
Output protection	Short / Open Circuit protection.
Calibration facility	Zero and Span settings [external].
Accuracy	0.1%.
Indication	Red LED for Power On.
Power Supply	85 to 270 V AC, 50/60 Hz Universal AC power. [Optionally 20 to 70 V DC].
Dimensions	100 x 22 x 110 mm. [H x W x D].
Execution	DIN-Rail / Rear panel mounting.
Enclosure	Industrial Green.
Enclosure colour	Light Grey [RAL 7035]
Weight	Approximately 0.4 Kgs.
Operating Temperature	0 to 50 oC.

OVERVIEW

The ASHE TX series of Signal Conditioners, Isolators, Transducers and Transmitters comprise a wide range of high quality and reliable instruments for the conversion, amplification and isolation of analog and digital signals.

The instruments accept standard industrial process input signals such as DC/AC Voltage, DC/AC Current, 4 to 20 mA DC, RTD Pt-100 sensor, Thermocouple sensor, Frequency [Pulse], Resistance, Strain-gauge, etc. and provide a buffered and isolated output with enhanced load driving capacity. The instruments find wide usage in single loop or distributed process measurement and control applications.

The new Series TX-205 DC Voltage to Current Isolating Transducers measure DC Voltage from nominal mV levels to several hundred Volts and convert the signal into an isolated analog current loop signal of 4 to 20 mA DC [or as required]. The Output signal is linear with respect to the Input signal and is galvanically and optically isolated to a potential level of 1.5 KV rms for one minute.

The instruments operate on 85 to 270 V Universal AC power supply, or alternatively 20 to 70 VDC power supply. Optional features include Signal repeating [multiple isolated outputs], higher load driving capability, digital indication facility, control relay outputs, two-wire operation with auxillary power output, etc.

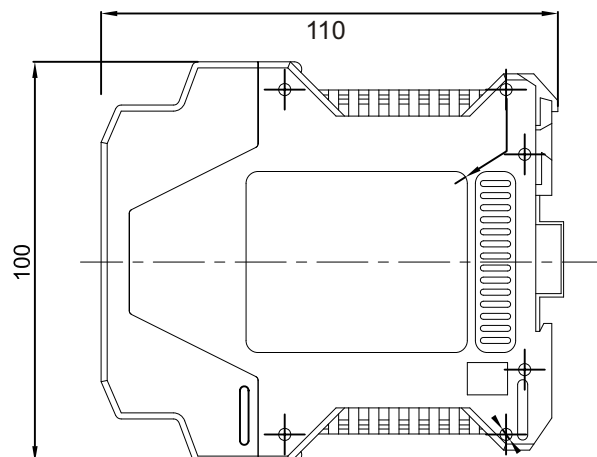
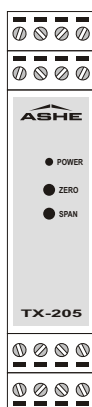
The instruments are available in compact industrial grade enclosures in DIN Rail / Wall-mounting execution, or optionally in IP65 protected field mount weather-proof enclosures, or in CIMFR certified explosion-proof enclosures. Absence of any moving parts provides these instruments inherent advantages like immunity to mechanical shocks, dust, ambient temperature, humidity and corrosive atmosphere.

FEATURES

- Optical & Galvanic Isolation between Input, Output & Power Supply.
- High accuracy and linearity to input signal
- Very low power consumption and heat dissipation
- Options of multiple [upto four] isolated outputs
- High load driving capacity of retransmitted signal
- Configurable output option of current / voltage
- Short-circuit / Open-circuit protection of outputs
- Front accessible Zero and Span calibration for all channels
- Digital Indication option with/without control relay outputs
- Auxillary power for two-wire transmitters
- AC or DC Power Supply options
- Rugged, industrial grade ABS enclosure
- Panel / Field / Hazardous area installation in IP65 execution
- Current limiting for I/O protection
- Customized outputs offered
- Proven record of several thousand installations
- Lifetime warranty on design and workmanship

DIMENSIONAL DIAGRAM

Dimensions : 100 x 22 x 110 mm
 Execution : DIN Rail mount.



HOW TO ORDER

DC VOLTAGE TRANSDUCER

Input (pre-specified) : DC Voltage.
 Output : 4 to 20 mA DC.
 Isolation : Optical and Galvanic.
 Power Supply : 85 to 270 V AC, 50/60 Hz or 20 to 70 VDC
 Dimensions : 100 x 22 x 110 mm.
 Execution : DIN rail mounted.

TX-205

Configuration and Add-on options

1 OPTICAL AND GALVANIC ISOLATION

- ▶ Required
- ▶ Not Required

I
N

2 POWER SUPPLY

- ▶ 85 to 270 V AC, 50/60 Hz
- ▶ 20 to 70 VDC
- ▶ Other (to be specified)

S
D
Z

3 EXECUTION

- ▶ DIN Rail mounting [100 x 22 x 110 mm]
- ▶ Field mounting in Weather-proof execution (Polycarbonate enclosure, IP65 protection)
- ▶ Field mounting in Flame/Explosion-proof execution (Cast Aluminum Alloy LM6 enclosure, for Gas groups IIA, IIB)

N
W
X

OUR OTHER PRODUCTS



FLOW TOTALIZER



SIGNAL ISOLATORS & TRANSDUCERS



TEMP. SCANNER



FLAMEPROOF INSTRUMENTS



STATIC POWER SWITCHES



ASHE CONTROLS PRIVATE LIMITED

6/317, 318 & 319, Jogani Industrial Complex, Near ATI, Sion-Trombay Road, Chunabhatti (East), Mumbai - 400 022, India.
 Phone / Fax : (022) 2405 1561, 2405 5791 • E-mail : sales@ashecontrols.com • Website: http://www.ashecontrols.com